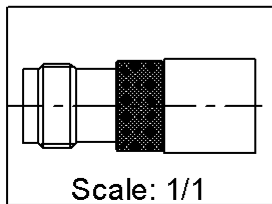
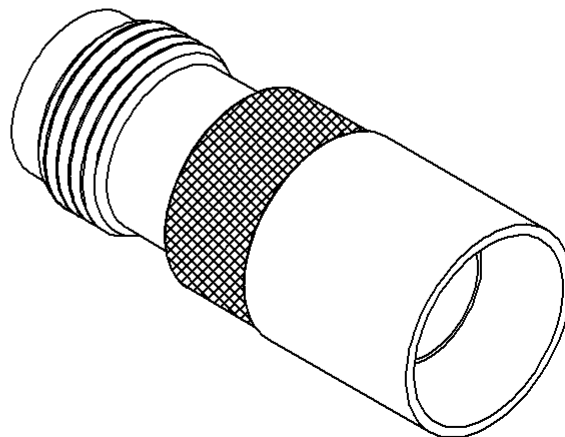
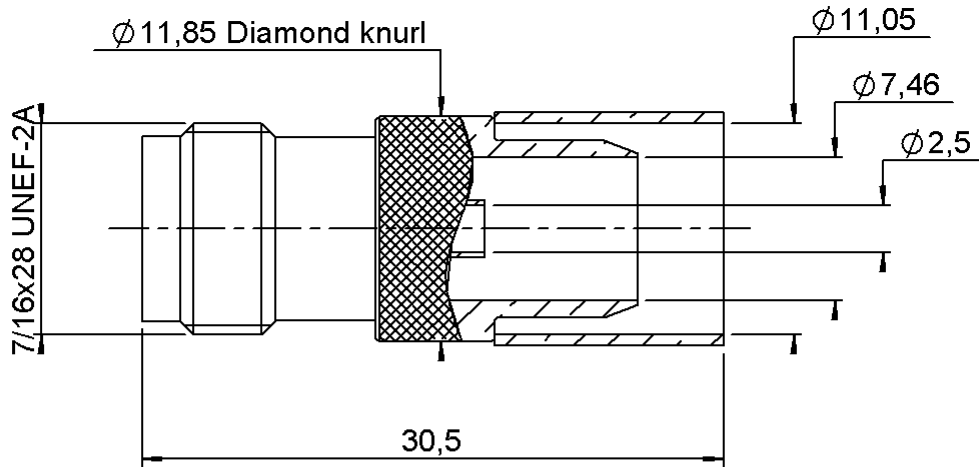


RP TNC STRAIGHT JACK CRIMP TYPE

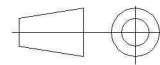
R300.143.220

CABLE 10/50S

Series :
REV.POLARITY



All dimensions are in mm.



COMPONENTS	MATERIALS	PLATINGS (µm)
BODY	BRASS	NICKEL 2
CENTER CONTACT	BRASS	GOLD 0.5 OVER NICKEL 2
OUTER CONTACT	-	-
INSULATOR	PTFE	-
GASKET	-	-
OTHERS PARTS	BRASS	-
-	-	-
-	-	-

Issue : 0744 B

In the effort to improve our products, we reserve the right to make changes judged to be necessary.



RP TNC STRAIGHT JACK CRIMP TYPE

R300.143.220

CABLE 10/50S

Series :
REV.POLARITY

PACKAGING

Standard	Unit	Other
100	'W' option	Contact us

SPECIFICATION

ELECTRICAL CHARACTERISTICS

Impedance	50	Ω
Frequency	0-11	GHz
VSWR	NA + 0,0000	x F(GHz) Maxi
Insertion loss	NA	\sqrt{F} (GHz) dB Maxi
RF leakage	- (NA	- F(GHz)) dB Maxi
Voltage rating	500	Veff Maxi
Dielectric withstanding voltage	1500	Veff mini
Insulation resistance	5000	M Ω mini

CABLE ASSEMBLY

Stripping	a	b	c	d	e	f
mm	3,00	7,50	12,0	0,00	9,00	0,00

Assembly instruction : **Crimp 01**

Recommended cable(s)
RG 213
KX 4

Cable retention
- pull off **200** N mini
- torque - N.cm

MECHANICAL CHARACTERISTICS

Center contact retention	
Axial force – Mating end	27 N mini
Axial force – Opposite end	27 N mini
Torque	NA N.cm mini

TOOLING

Part Number	Description	Hexagon
.	.	.
R282.231.000	CRIMPING TOOL	
R282.293.000	CRIMPING TOOL M22520/5-01	
R282.235.116	CRIMPING DIES	

Recommended torque	
Mating	NA N.cm
Panel nut	NA N.cm
Clamp nut	NA N.cm
A/F clamp nut	0,0000 mm

OTHERS CHARACTERISTICS

Mating life	500	Cycles mini
Weight	11,4560	g

ENVIRONMENTAL

Operating temperature	-65/+165	$^{\circ}$ C
Hermetic seal	NA	Atm.cm3/s
Panel leakage	NA	

Issue : 0744 B

In the effort to improve our products, we reserve the right to make changes judged to be necessary.

